

Distributed by:

EPH



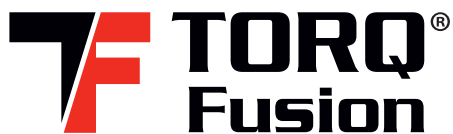
TORQ[®]
Fusion

**PNEUMATIC
TORQUE WRENCH**

GT800PSS

GT800PSS PNEUMATIC TORQUE WRENCH

The GT800PSS is an integrated torque delivery system. It has been designed to quickly and accurately produce large amounts of torque in a safe and reliable manner. At the heart of this system is a powerful pneumatic vane motor mated to a precision multi stage planetary gearbox. The motor is fed by an instrument grade pneumatic regulator for increased repeatability and overall system accuracy. The GT800PSS features a modular design allowing the user to quickly change between available output drives and reaction arms and to add various tool extensions as needed, making it a versatile torque system. TORQ Fusion® created a tool which is significantly lighter than other products currently on the market by employing an impact resistant polymer composite motor housing and using various exotic alloy steels and proprietary designs throughout the planetary gearbox. This accomplishment is reflected by a multitude of patents.



GT800PSS shown with optional 6" extension. The configuration above can be dismantled and re-configured by simply removing 2 set screws.

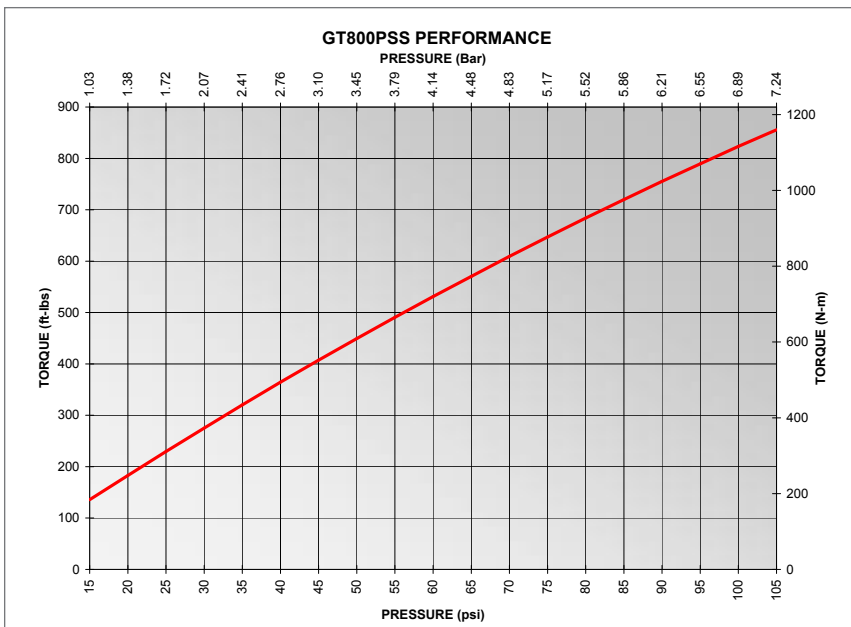
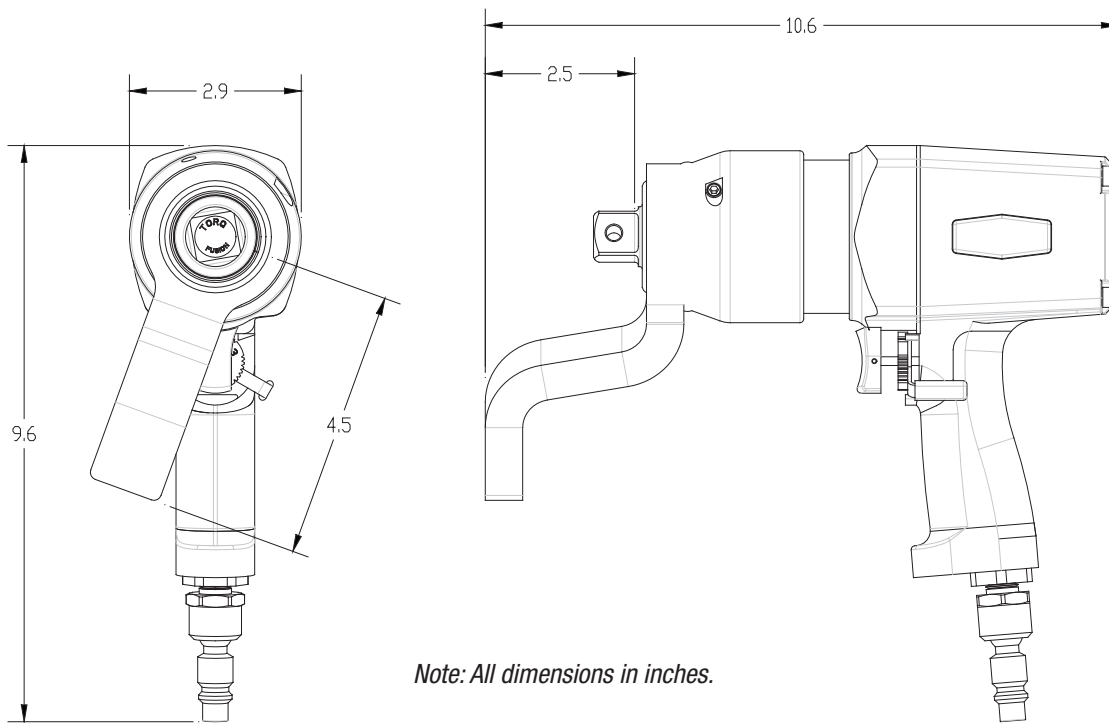
Safety and Ergonomics

Thanks to its light-weight construction a complete GT800PSS tool including reaction arm and output drive weighs only 9.7 lbs (4.4 Kg). The hand grip is lined with a comfortable elastomeric layer to prevent discomfort during prolonged use. By delivering torque continuously the GT800PSS is not only accurate but it also reduces fatigue by eliminating vibration and impact. Maximum sound pressure has been measured at 86 dB(A) while free turning at 100 psi – under load and at smaller input pressure noise levels are lower. The gearbox is attached to the motor housing via a swivel connection which allows the user to position the tool grip in the most ergonomic position during operation; this also isolates the operator from the extreme torque developed by the tool while tightening and loosening fasteners. Personal protective equipment (PPE) must be worn at all times while using this tool – please consult the user manual for more information.

Calibration and Service

Our tools are factory calibrated when initially sold, but in order to ensure accurate performance, TORQ Fusion® recommends that torque tools be calibrated at least once a year. Although our tools are designed to operate virtually maintenance free, there are a few measures that must be taken in order to ensure trouble-free operation – please consult your tool's User Manual for details. In the event that you are experiencing difficulties with your TORQ Fusion® equipment please feel free to contact your sales representative or the factory immediately for assistance. If we can not resolve the problem over the telephone, we will ask that you send us the defective equipment for immediate diagnosis. We offer several options in the event that repairs are needed, such as warranty replacement or repair, expedited service, temporary leasing and others. We are very sensitive to the fact that productivity comes first for our customers and always react with urgency.

GT800PSS SPECIFICATIONS



PARAMETER	IMPERIAL	METRIC
Output Drive ¹	3/4" SQ OR 1" SQ	
Max Torque	800 ft-lbs	1,085 N-m
Min Torque	150 ft-lbs	203 N-m
Max Speed	12 RPM	
Max Noise ²	86 dB(A)	
System Accuracy	5%	
Tool Weight	6.4 lbs	2.9 Kg
Reaction Arm Weight	2.9 lbs	1.3 Kg
Output Drive Weight	0.4 lbs	0.2 Kg
6" Tool Extension Weight	4.6 lbs	2.1 Kg
12" Tool Extension Weight	6.9 lbs	3.1 Kg
18" Tool Extension Weight	9.1 lbs	4.1 Kg
FRL Weight	13 lbs	5.9 Kg
Max Inlet Air Pressure ³	115 psi	7.93 Bar
Max Air Consumption ⁴	20 CFM	566 l/min
Air Connection	1/2" NPT	
FRL Battery	9V (PP3)	
FRL Accuracy	<1	
Warranty	1 year limited	

- 3/4" square drive is standard on all tools. 1" square drive may also be supplied upon request. Other drive types may be custom developed.
- Maximum noise level at 100 PSI without a load; noise levels under load are lower.
- Never set FRL to a pressure higher than indicated on the torque chart.
- To achieve maximum operating range of the tool air supply must be at least 20 CFM @ 115psi.

FRL UNITS

Our pneumatic torque wrenches have adjustable output torque which can be controlled by varying the air pressure level supplied to the tool. The more accurately the air pressure is controlled the more accurate the torque output will be. As such TORQ Fusion® has designed several FRL (Filter Regulator Lubricator) units unmatched by any other. Some of the common benefits of our FRLs are:

- May be used with all TORQ Fusion pneumatic torque wrenches; 1/2" FNPT line connection
- Precision instrument grade regulator allows adjustment without running the tool motor
- The auto drain filter removes moisture and impurities from the air while the precision lubricator adds tool oil
- LCD displays ensure precise adjustment; Externally accessible battery compartment - no tools required
- 12 ft (3.7 m) pneumatic hose with swivel and quick disconnect at tool and swivel at FRL
- Quick Start Instructions and safety precautions for operating the tool
- Durable 16 ga (1.5 mm) steel construction with powder coated finish, weighted for stability while using tool
- Integrated storage compartment for tool, several sockets and other accessories as well as hose storage
- Measures 13" W x 12" H x 14" D (330 mm W x 305 mm H x 345 mm D) and weighs 13 lbs (5.9 Kg)



Standard FRL

- Is factory calibrated as a set with designated torque tool for maximum precision
- Displays air pressure in PSI, Bar or MPa
- Permanently attached torque chart with 5 psi (0.35 Bar) increments also contains tool model and serial numbers as well as calibration date
- Uses 1 alkaline 9V Battery (PV3)
- Display auto-off after 5 minutes
- Part number: 001-A-0071



inteliTORQ® FRL - Premium Option

- Automatically converts pressure to torque using each tool's calibration curve.
- Displays torque units in ft-lbs, N-m or Kgf-m.
- Can be paired with up to 4 tools; tool model and serial numbers always displayed
- Tools can be added / removed in seconds; no tools, cables or computer needed
- Can also display line pressure ((PSI, Bar, MPa or Atm) and may be used with a standard torque chart
- Uses 1 alkaline D size battery (LR20)
- Display auto-off after 10 minutes
- Part number: 001-A-0074

Distributed by:



Eastern Pneumatics & Hydraulics Inc.
40 Lowell Road, Unit # 3 • Salem, NH 03079
Phone: 603.893.7662 • Fax: 603.893-7745
Toll Free: 1.800.356.5624 • email: info@ephtools.com

Designed and built in the USA
Patents Pending
Copyright © 2011-2013 TORQ Fusion® LLC



info@torqfusion.com • www.torqfusion.com