



EASTERN
PNEUMATICS & HYDRAULICS, INC.

Complete Torque Tool
Specialty House
Repairs and Recalibrations

Now You're Torquing!®

40 Lowell Road, Unit #3
Salem, NH 03079
Tel. (603) 893-7662
Tel. (800) 356-5624
Fax (603) 893-7745
www.ephtools.com

NORBAR

• CHICAGO PNEUMATIC

• AIMCO / URYU

• TORCUP

• TONE

• TENTEC



TONE STC30AE



2200 Ft. Lbs. of torque with a 1" Square Drive

Eastern Pneumatics & Hydraulics Inc., introduces the new TONE electric torque control wrench.

The **STC30AE** has been newly designed with a LED light indicator confirming that the torque setting has been achieved. Special features such as low weight and high accuracy makes this tool ideal for construction and industrial use.

The **STC30AE** comes complete with a heavy duty metal case and accessories.



Specifications:

Voltage: 115V

Current: 12A (Max)

Power Consumption: 1350W (Max)

Torque Range: 750 lbf.ft to 2200 lbf.ft

Square Drive: 1" (25.4 mm)

RPM: 3

Weight: 9.5kg

Included: Straight and Offset type reaction arms

Optional: Slide type reaction arm

** See reverse page for Final Dimensions*



For more information

Call today or email us at: info@ephtools.com

www.ephtools.com

1-800-356-5624





EASTERN
PNEUMATICS & HYDRAULICS, INC.

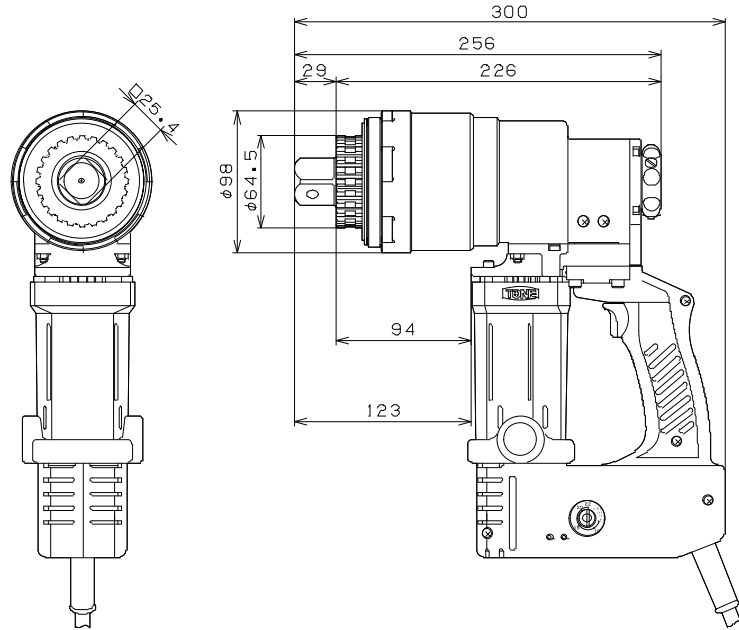
Complete Torque Tool
Specialty House
Repairs and Recalibrations

Now You're Torquing!®

40 Lowell Road, Unit #3
Salem, NH 03079
Tel. (603) 893-7662
Tel. (800) 356-5624
Fax (603) 893-7745
www.ephtools.com

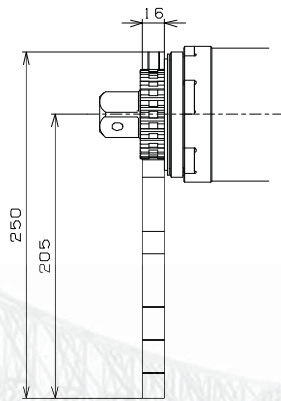
NORBAR • CHICAGO PNEUMATIC • AIMCO / URYU • TORCUP • TONE • TENTEC

Final Dimensions of STC30AE (Spline Type)

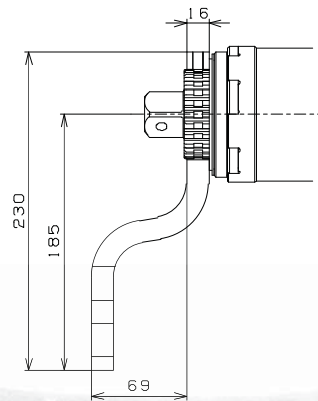


Reaction Arms

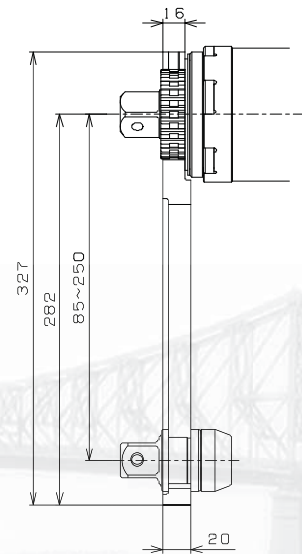
Straight Type



Offset Type



Slide Type (optional)



TONE®

To see the full line of Torque Products we offer, please visit us at:

WWW.EPHtools.com

"Now You're Torquing!®"

