

Distributed by:

**EPH**



**TORQ<sup>®</sup>**  
**Fusion**

**PNEUMATIC  
TORQUE WRENCHES**

**WHEEL BOLTING  
SOLUTIONS  
GT SERIES**

# WHEEL BOLTING SOLUTIONS - GT SERIES

TORQ Fusion is proud to introduce our modular line of wheel bolting solutions. Heavy trucks and equipment have wheels attached by a multitude of lug nuts or bolts which have to be properly tightened, usually by a calibrated torque wrench. Failure to use a precision torque wrench causes under-tightening or over-tightening of the fasteners which may result in wheel-offs (wheel becoming detached from vehicle). Under-tightening causes fasteners to become loose due to vibration, while over-tightening permanently damages the male thread causing it to break during use.

In the United States OSHA (Occupational Safety and Health Act) requires anyone who installs and removes these types of wheels to be trained in Standard 29 CFR 1910.177 which mandates adhering to the wheel manufacturer's installation instructions. Our wheel bolting solutions enable staff to be compliant with these types of instructions by delivering a consistent, accurate torque of within 5%.

Traditional methods may include "snugging" all fasteners using an impact wrench in a star pattern followed by applying final torque with a manual torque wrench. Our method eliminates all other tools which proves to be a faster, simpler and more reliable approach. The GT series torque wrenches are reliable, light weight and vibration-free resulting in a range of benefits to staff and organizations. The ergonomic grip features a comfortable rubberized surface and the direction lever can reverse the tool with the flick of the thumb. We challenge anyone to compare the weight of our tool with any of our competitors'. Our engineers have made adjusting the torque output extremely user-friendly and intuitive – see additional details in the FRL section of this brochure.

*GT800PSS Torque Wrench with 18" extension, standard reaction arm and 1" square drive*

*GT500PSS Torque Wrench with 6" extension and wheel attachment*

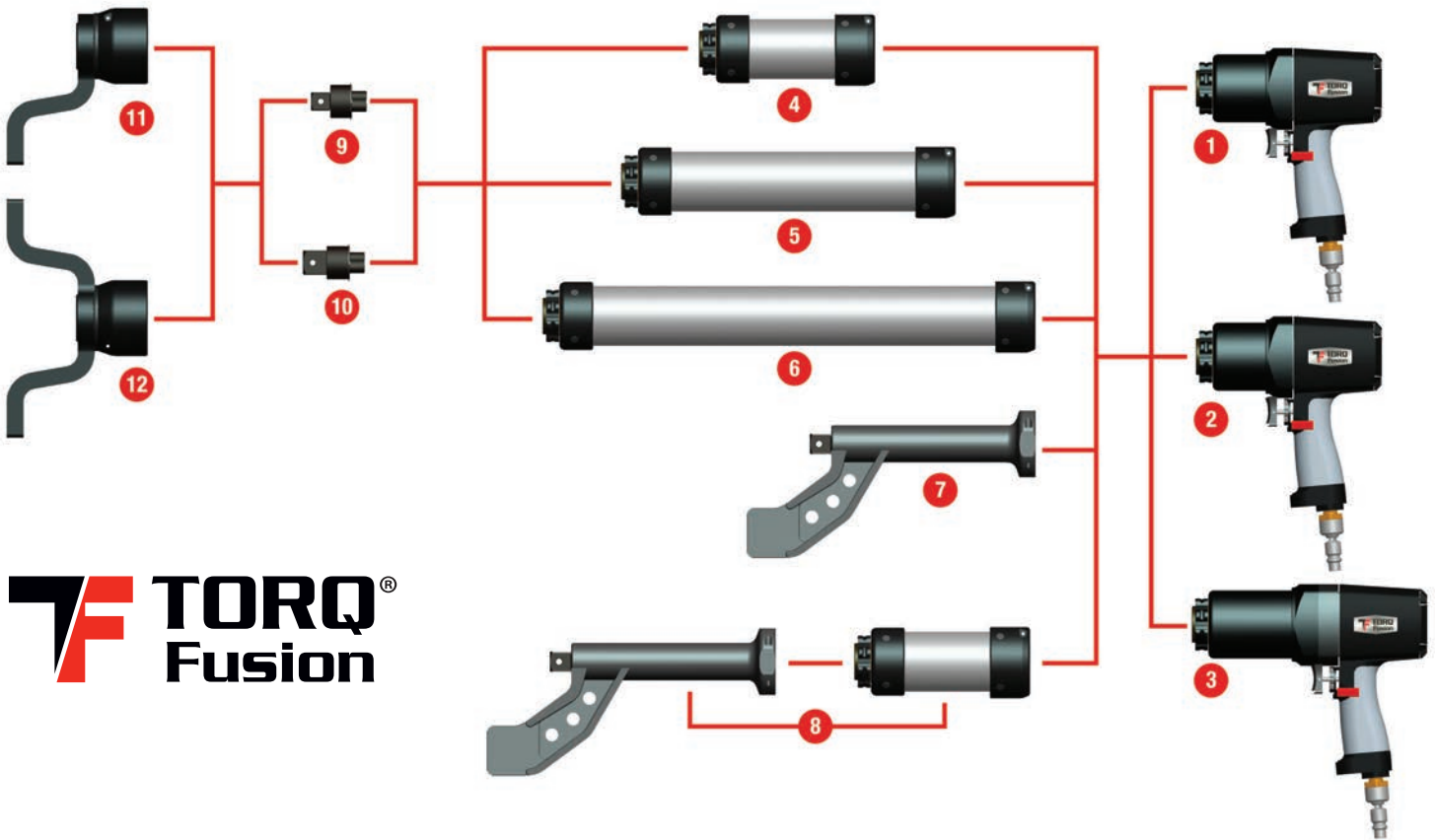


*GT1300PSS Torque Wrench with wheel attachment*



## Calibration and Service

Our tools are factory calibrated when initially sold, however in order to ensure accurate performance, TORQ Fusion® recommends that torque tools be calibrated at least once a year. Although our tools are designed to operate virtually maintenance free, there are a few measures that must be taken in order to ensure trouble-free operation – please consult your tool's User Manual for details. In the event that you are experiencing difficulties with your TORQ Fusion® equipment please feel free to contact your sales representative or the factory immediately for assistance. If we can not resolve the problem over the telephone, we will ask that you send us the defective equipment for immediate diagnosis. We offer several options in the event that repairs are needed, such as warranty replacement or repair, expedited service, temporary leasing and others. We are very sensitive to the fact that productivity comes first for our customers and always react with urgency.



PARAMETER	1 GT500PSS	
	IMPERIAL	METRIC
Part Number	001-A-0059	
Tool Weight	6.4 lbs	2.9 Kg
Max Torque	500 ft-lbs	678 N-m
Min Torque	100 ft-lbs	136 N-m
Max Speed	17 RPM	
Max Noise	86 dB(A)	
System Accuracy	5%	
Max Inlet Air Pressure	110 psi	7.58 Bar
Max Air Consumption	20 CFM	566 l/min

PARAMETER	2 GT800PSS	
	IMPERIAL	METRIC
Part Number	001-A-0027	
Tool Weight	6.4 lbs	2.9 Kg
Max Torque	800 ft-lbs	1,085 N-m
Min Torque	120 ft-lbs	163 N-m
Max Speed	12 RPM	
Max Noise	86 dB(A)	
System Accuracy	5%	
Max Inlet Air Pressure	110 psi	7.58 Bar
Max Air Consumption	20 CFM	566 l/min

PARAMETER	3 GT1300PSS	
	IMPERIAL	METRIC
Part Number	001-A-0047	
Tool Weight	8.6 lbs	3.9 Kg
Max Torque	1,300 ft-lbs	1,763 N-m
Min Torque	200 ft-lbs	271 N-m
Max Speed	7.5 RPM	
Max Noise	86 dB(A)	
System Accuracy	5%	
Max Inlet Air Pressure	110 psi	7.58 Bar
Max Air Consumption	20 CFM	566 l/min

PARAMETER	4 6" EXTENSION	
	IMPERIAL	METRIC
Part Number	001-A-0044	
Tool Weight	4.6 lbs	2.1 Kg

PARAMETER	5 12" EXTENSION	
	IMPERIAL	METRIC
Part Number	001-A-0043	
Tool Weight	6.9 lbs	3.1 Kg

PARAMETER	6 18" EXTENSION	
	IMPERIAL	METRIC
Part Number	001-A-0038	
Tool Weight	9.1 lbs	4.1 Kg

PARAMETER	7 WHEEL ATTACHMENT	
	IMPERIAL	METRIC
Part Number	001-A-0078	
Tool Weight	5.1 lbs	2.3 Kg

PARAMETER	8 WHEEL ATTACHMENT COMBO	
	IMPERIAL	METRIC
Part Number	See Items 4 & 7	
Tool Weight	—	—

PARAMETER	9 3/4" DRIVE	
	IMPERIAL	METRIC
Part Number	001-A-0053	
Tool Weight	0.4 lbs	0.2 Kg

PARAMETER	10 1" DRIVE	
	IMPERIAL	METRIC
Part Number	001-A-0054	
Tool Weight	0.4 lbs	0.2 Kg

PARAMETER	11 STANDARD REACTION ARM	
	IMPERIAL	METRIC
Part Number	001-A-0072	
Tool Weight	2.9 lbs	1.3 Kg

PARAMETER	12 CUSTOM REACTION ARM	
	IMPERIAL	METRIC
Part Number	Contact Us	
Tool Weight	—	—

# FRL UNITS

Pneumatic torque wrenches are only as accurate as the air pressure level supplied to them which is why we put significant effort in creating our FRLs using only top brand components. To meet the needs of all of our customers, we offer our pneumatic torque wrenches with 3 different FRL options. Some of the common features are:

- 1/2" SMC® brand pneumatic components; rubber feet and handle grip
- 12 ft (3.7 m) pneumatic hose with swivel and quick disconnect at tool and swivel at FRL
- Quick Start Instructions and safety precautions for operating the tool printed on top surface
- Durable 16 ga (1.5 mm) steel construction with powder coated finish, weighted for stability while using tool
- Integrated storage compartment for tool, several sockets and other accessories as well as hose storage
- Measures 14" W x 14" H x 14.5" D (35.6 cm W x 35.6 cm H x 36.8 cm D)



## Analog FRL

- It is our most cost effective option
- Features a large 4" analog gauge for ease of reading and precision adjustment
- The torque chart is attached to the top surface of the unit so it cannot be lost
- Torque chart values given every 5 PSI (0.35 Bar) for increased precision
- Like most FRLs, the tool must be running while adjusting the pressure
- Clear polycarbonate filter and lubricator bowl protectors



## Digital FRL

- This FRL further reduces the possibility of errors by introducing a digital display
- Precision instrument grade regulator with enhanced pressure recovery allows pressure setting without running the tool motor
- LCD gauge displays pressure with decimal point accuracy, further eliminating errors when reading pressure
- Displays air pressure in PSI, Bar or MPa
- The torque chart is attached to the top surface of the unit so it cannot be lost
- Torque chart values given every 5 PSI (0.35 Bar) for increased precision
- This system uses an extended life battery, accessible from the front without disassembly



## inteliTORQ™ FRL

- Our most intelligent FRL solution electronically converts the regulator pressure into torque based on each tool's digital torque chart stored in the FRL
- No printed torque charts needed as all data is digitally stored in the unit
- Precision instrument grade regulator with enhanced pressure recovery allows pressure setting without running the tool motor
- Torque can be displayed in different units: ft-lbs, N-m or Kgf-m
- One inteliTORQ FRL can be used with up to 4 different tools; tool model and serial numbers always displayed along with torque setting
- Tools can be added / removed in seconds; no cables or computer needed
- Can also display line pressure (PSI, Bar, MPa or Atm) and may be used with a printed torque chart
- This system uses an extended life battery, accessible from the top without disassembly



Eastern Pneumatics & Hydraulics Inc.  
40 Lowell Road, Unit # 3 • Salem, NH 03079  
Phone: 603.893.7662 • Fax: 603.893-7745  
Toll Free: 1.800.356.5624 • email: [info@ephtools.com](mailto:info@ephtools.com)

Designed and built in the USA  
Patents Pending  
Copyright © 2015 TORQ Fusion® LLC



[info@torqfusion.com](mailto:info@torqfusion.com) • [www.torqfusion.com](http://www.torqfusion.com)